

TRITON

Product description

The TRITON luminaire is probably the most popular luminaire within the marine industry. With innovative design features such as the gear tray retaining mechanism and robust retaining clips, the TRITON luminaire stands out as best in class.

- Zinc coated steel body
- Tough polycarbonate diffuser
- High frequency control gear
- IP67 rated

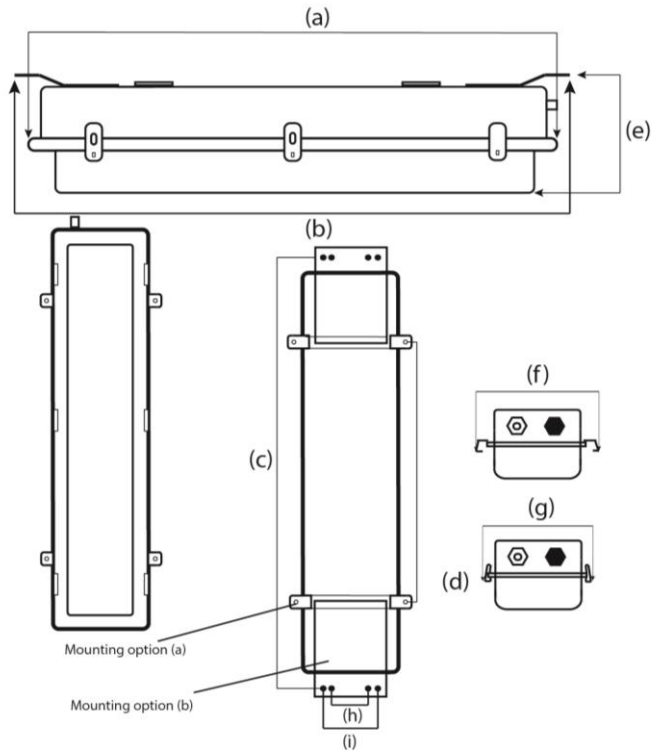


Designed and Manufactured
in Europe

Specification

| Wattage | | 1x18W | 2x18W | 1x36W | 2x36W |
|----------------------|-----|---|---------------|---------------|---------------|
| Voltage/Hz | | 220-240V, 60Hz | | | |
| Protection Class | | Class I | | | |
| Fitting Dims (mm) | (a) | 730 | 730 | 1340 | 1340 |
| | (b) | 780 | 780 | 1405 | 1405 |
| | (c) | 750 | 750 | 1375 | 1375 |
| | (d) | 430 | 430 | 950 | 950 |
| | (e) | 126 | 126 | 126 | 126 |
| | (f) | 195 | 195 | 195 | 195 |
| | (g) | 153 | 153 | 153 | 153 |
| | (h) | 60 | 60 | 60 | 60 |
| | (i) | 85 | 85 | 85 | 85 |
| Weight (kg) | | 3.5kg | 4.0kg | 5.8kg | 6.2kg |
| Fixing | | Tamper Proof Stainless Steel Fixings | | | |
| Mounting | | Rear Mounting Holes as standard (see options) | | | |
| IP Rating | | IP67 | | | |
| Construction | | Zinc Coated Steel Housing with Polycarbonate Diffuser and Stainless Steel Clips | | | |
| Finish | | White Powder Coated | | | |
| Lampholder | | G13 | | | |
| Cable Entry | | 2-2 as standard with two M20 glands and two blanking glands. | | | |
| Recommended Location | | Indoor/Outdoor | | | |
| Temp range | | -20°C to +45°C | | | |
| Product Code | | TR1180 | TR2180 | TR1360 | TR2360 |

Technical Drawing



About OBEN Technik | “the lighting solution”

OBEN Technik is committed to addressing the need in the industry of trusted, reliable products, especially in the LED industry, with rapid delivery and quality components. We believe this leads to a trusted, high performance solution.

the quality solution... OBEN Technik is dedicated to providing the industry with solutions that are simply guaranteed. We are proud of our commitment to European manufacture and design utilizing latest technology and high quality components. As a result, we have solutions that will significantly outperform other products on the market.

the bespoke solution... OBEN Technik takes a different approach to projects we work on. If we believe a product can be developed specifically to improve the project, we will.

the delivery solution... OBEN Technik uses its network of distributors to ensure rapid delivery. Instead of products being manufactured in Asia, OBEN Technik can manufacture and deliver with short lead times. In addition, we can even palletize deliveries specifically for easy distribution on site.

Solutions... we live, for light, from Europe.

www.obentechnik.com

Options

Use the below option matrix to specify the exact version you require.

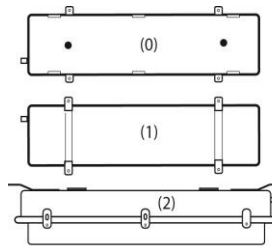
Mounting

The mounting type is represented by the last digit in the code e.g. TR2180.

Change this as below. A 2x18W with a mounting bar would be TR2181.

This is supplied as standard with two rear mounting holes.

| Type | Suffix |
|-------------------------|--------|
| Two Rear Mounting Holes | 0 |
| Mounting Bar | 1 |
| End Bracket | 2 |



Cable Gland

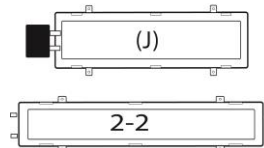
Standard cable glands supplied are M20 polyamide. Other options are available as below.

| Type | Suffix |
|---------------|--------|
| M20 Brass | F |
| M25 Polyamide | G |
| M25 Brass | H |

Cable Entry

The cable entry is supplied as standard with 2-2 as shown in the diagram on the right with two M20 polyamide glands and two blanking glands for versatility. A version with Junction Box can be supplied as shown.

| Type | Suffix |
|--------------|--------|
| Junction Box | J |



Emergency

Emergency options can be provided as shown.

| Type | Suffix |
|---|--------|
| Emergency 3hr | E |
| Emergency 1hr | E1 |
| Separate 24V lampholder for central battery system. | 24V |