

RIANNO DX

Product description

With the same construction as the RIANNO DX, the RIANNO DX TWIN BODY has all the unique features of having a superior galvanized body, and is ready to be put to the test!

- Superior galvanized steel body
- IP67 Rated
- All-stainless fittings
- E40 lampholder with extra lamp support
- Glass retaining clips
- Can be used with halogen double envelope lamp



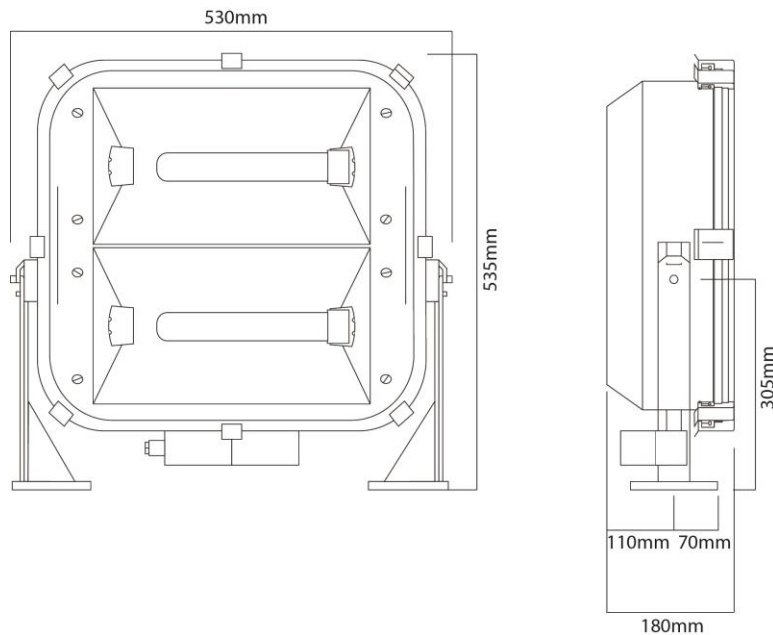
Specification

Wattage	2 x 250w	2 x 400w
Voltage	220v	
Dimensions	See Image	
Weight	11.8Kg	
Fixing /Mount	Adjustable Stainless Steel Bracket	
IP Rating	IP67	
Construction	Stainless Steel, powder coated white	
Recommended Location	Indoor/Outdoor	
Warranty	3 Years	
Product code	RDXTB	

Suffixes;

'250' for 250w version
 '400' for 400w version
 'HPS' for High Pressure Sodium Lamp
 'MH' for Metal Halide Lamp

Technical Drawing



About OBEN Technik | “the lighting solution”

OBEN Technik is committed to addressing the need in the industry of trusted, reliable products, especially in the LED industry, with rapid delivery and quality components. We believe this leads to a trusted, high performance solution.

the quality solution... OBEN Technik is dedicated to providing the industry with solutions that are simply guaranteed. We are proud of our commitment to European manufacture and design utilizing latest technology and high quality components. As a result, we have solutions that will significantly outperform other products on the market.

the bespoke solution... OBEN Technik takes a different approach to projects we work on. If we believe a product can be developed specifically to improve the project, we will.

the delivery solution... OBEN Technik uses its network of distributors to ensure rapid delivery. Instead of products being manufactured in Asia, OBEN Technik can manufacture and deliver with short lead times. In addition, we can even palletize deliveries specifically for easy distribution on site.

Solutions... we live, for light, from Europe.

www.obentechnik.com