

## TEXAN TX1

### Product description

More than ever, extreme environments are demanding exceptional solutions. The TEXAN TX1 does just that. The anodized marine grade aluminium body ensure maximum durability whilst the design incorporates features that make this luminaire vibration resistant. The TEXAN TX1 is the solution to most hazardous area requirements.

- EXd (flameproof) rated
- High impact resistance polycarbonate body
- Anodised marine grade aluminium
- Exceptionally vibration resistant
- Zone I, Category II



European Design



Manufactured in Germany

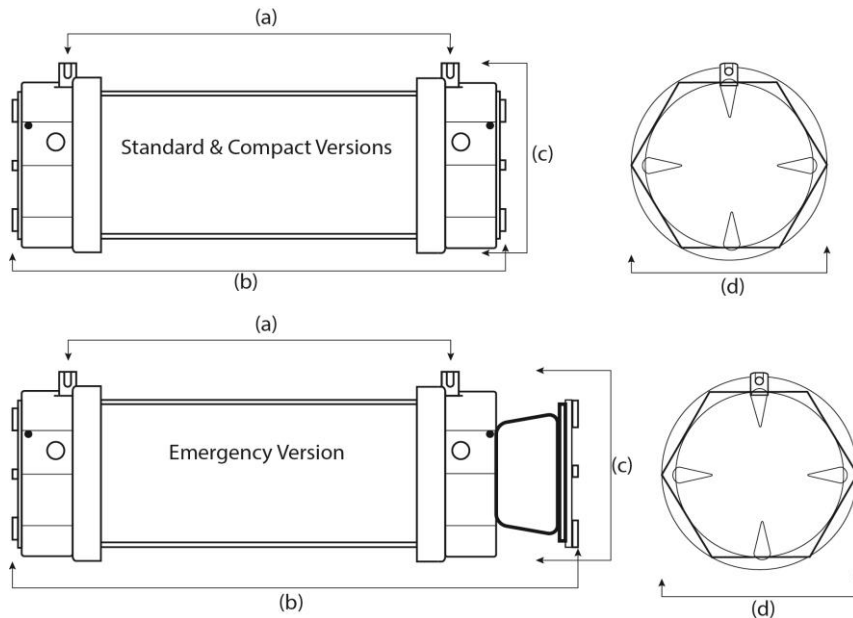
### TEXAN TX1 | Fluorescent Luminaire

Wattage		8w	11w, 18w, 26w	18w	36w, 55w	36w	58w	70w
Voltage		220-240v						
Protection Class		Ex d (Flameproof)						
Zone		Zone 1						
Dimensions	(a)	335mm	335mm	632mm	632mm	1242mm	1542mm	1806mm
	(b)	448mm	448mm	752mm	752mm	1362mm	1662mm	1926mm
	(c)	158mm	158mm	158mm	158mm	158mm	158mm	158mm
	(d)	140mm	140mm	140mm	140mm	140mm	140mm	140mm
Weight		3Kg	3Kg	5Kg	5Kg	7Kg	8Kg	9Kg
Fixing/Mounting		2 x M8 Tapped Holes						
IP Rating		IP66 Minimum						
Construction		Marine Grade aluminum body with high impact polycarbonate tube						
Cable Entry		4 x M20 – ISO 93 plugged) as standard. Other threads available						
Recommended Location		Indoor/Outdoor						
Product code		TTX18	TTX111,18,26	TTX118	TTX136,55	TTX136	TTX158	TTX170

#### SUFFIXES;

- 'E' for Emergency
- '120v' for 120-277v version
- '12v' for 12v version
- '24v' for 24v versions
- '48v' for 48v versions

## Technical Drawing



## About OBEN Technik | “the lighting solution”

OBEN Technik is committed to addressing the need in the industry of trusted, reliable products, especially in the LED industry, with rapid delivery and quality components. We believe this leads to a trusted, high performance solution.

**the quality solution...** OBEN Technik is dedicated to providing the industry with solutions that are simply guaranteed. We are proud of our commitment to European manufacture and design utilizing latest technology and high quality components. As a result, we have solutions that will significantly outperform other products on the market.

**the bespoke solution...** OBEN Technik takes a different approach to projects we work on. If we believe a product can be developed specifically to improve the project, we will.

**the delivery solution...** OBEN Technik uses its network of distributors to ensure rapid delivery. Instead of products being manufactured in Asia, OBEN Technik can manufacture and deliver with short lead times. In addition, we can even palletize deliveries specifically for easy distribution on site.

**Solutions...** we live, for light, from Europe.

[www.obentechnik.com](http://www.obentechnik.com)