

PXWA12 | PerformaX Medical Instrument Lamp

Product description

The PerformaX range of medical replacement lamps is renowned for its consistently high performance. Cutting edge manufacturing methods incorporating precision technology makes for a superior user experience time after time. The PerformaX PXWA12 is equivalent to Welch Allyn® 01200.

- 125 binocular indirect ophthalmoscope



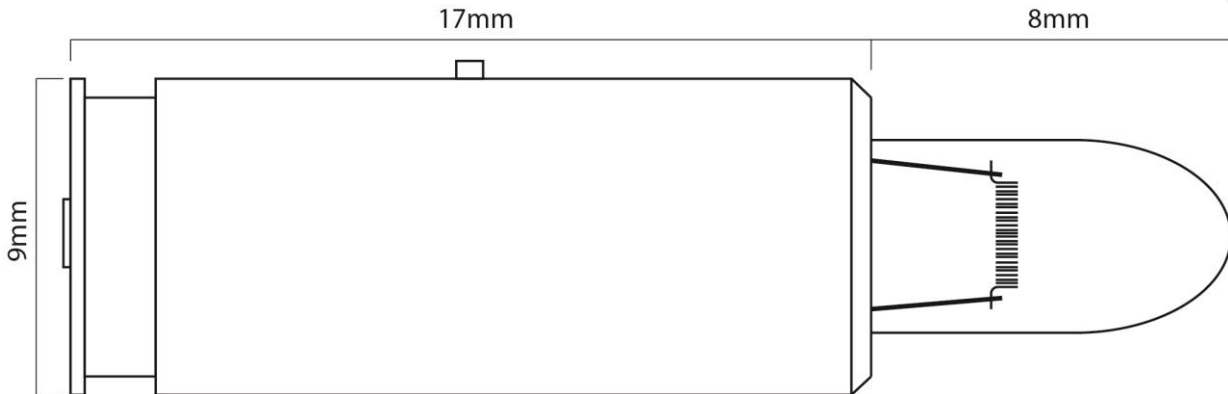
Manufactured in Germany



Specification

Voltage	2.65V
Equivalent To	WA01200
Equipment Used In	125 binocular indirect ophthalmoscope
Product Code	PXWA12

Technical Drawing



About OBEN Technik | “the lighting solution”

OBEN Technik is committed to addressing the need in the industry of trusted, reliable products, especially in the LED industry, with rapid delivery and quality components. We believe this leads to a trusted, high performance solution.

the quality solution... OBEN Technik is dedicated to providing the industry with solutions that are simply guaranteed. We are proud of our commitment to European manufacture and design utilizing latest technology and high quality components. As a result, we have solutions that will significantly outperform other products on the market.

the bespoke solution... OBEN Technik takes a different approach to projects we work on. If we believe a product can be developed specifically to improve the project, we will.

the delivery solution... OBEN Technik uses its network of distributors to ensure rapid delivery. Instead of products being manufactured in Asia, OBEN Technik can manufacture and deliver with short lead times. In addition, we can even palletize deliveries specifically for easy distribution on site.

Solutions... we live, for light, from Europe.

www.obentechnik.com