

## PXKE31 | PerformaX Medical Instrument Lamp

### Product description

The PerformaX range of medical replacement lamps is renowned for its consistently high performance. Cutting edge manufacturing methods incorporating precision technology makes for a superior user experience time after time. The PerformaX PXKE31 is equivalent to Keeler 1012-P-7006.

- Vantage plus ophthalmoscope



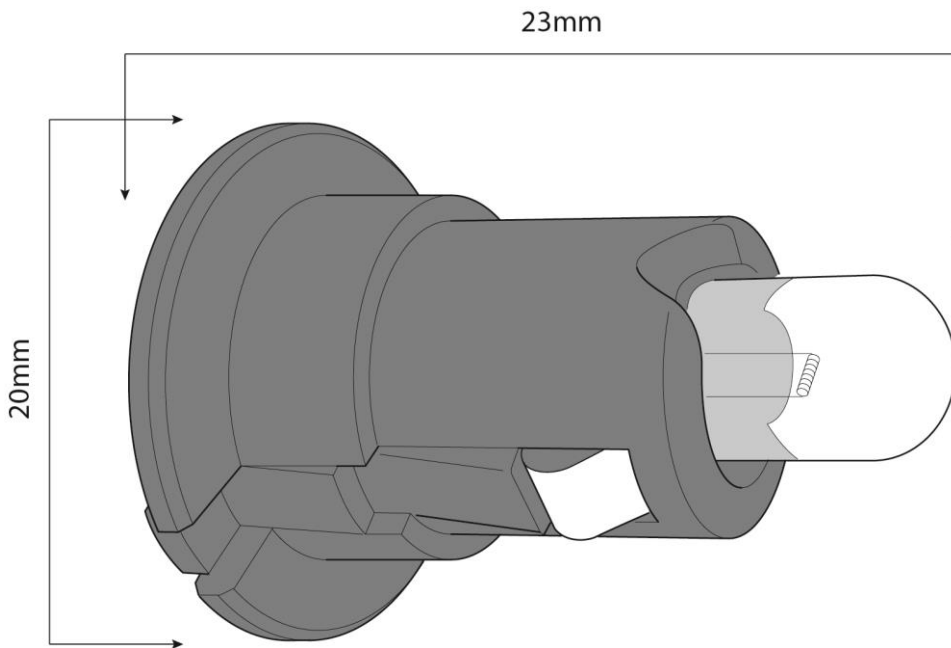
Manufactured in Europe

### Specification

#### PXKE31 | PerformaX Medical Instrument Lamp

Voltage	3.5V
Equivalent To	KE1012-P-7006
Equipment Used In	Vantage plus ophthalmoscope
Product Code	PXKE31

## Technical Drawing



### About OBEN Technik | “*the* lighting solution”

OBEN Technik is committed to addressing the need in the industry of trusted, reliable products, especially in the LED industry, with rapid delivery and quality components. We believe this leads to a trusted, high performance solution.

***the* quality solution...** OBEN Technik is dedicated to providing the industry with solutions that are simply guaranteed. We are proud of our commitment to European manufacture and design utilizing latest technology and high quality components. As a result, we have solutions that will significantly outperform other products on the market.

***the* bespoke solution...** OBEN Technik takes a different approach to projects we work on. If we believe a product can be developed specifically to improve the project, we will.

***the* delivery solution...** OBEN Technik uses its network of distributors to ensure rapid delivery. Instead of products being manufactured in Asia, OBEN Technik can manufacture and deliver with short lead times. In addition, we can even palletize deliveries specifically for easy distribution on site.

**Solutions...** you can trust.

[www.obentechnik.com](http://www.obentechnik.com)