

PX093 | PerformaX Medical Instrument Lamp

Product description

The PerformaX range of medical replacement lamps is renowned for its consistently high performance. Cutting edge manufacturing methods incorporating precision technology makes for a superior user experience time after time. The PerformaX PX093.

- Philips Penlights



Manufactured in Europe

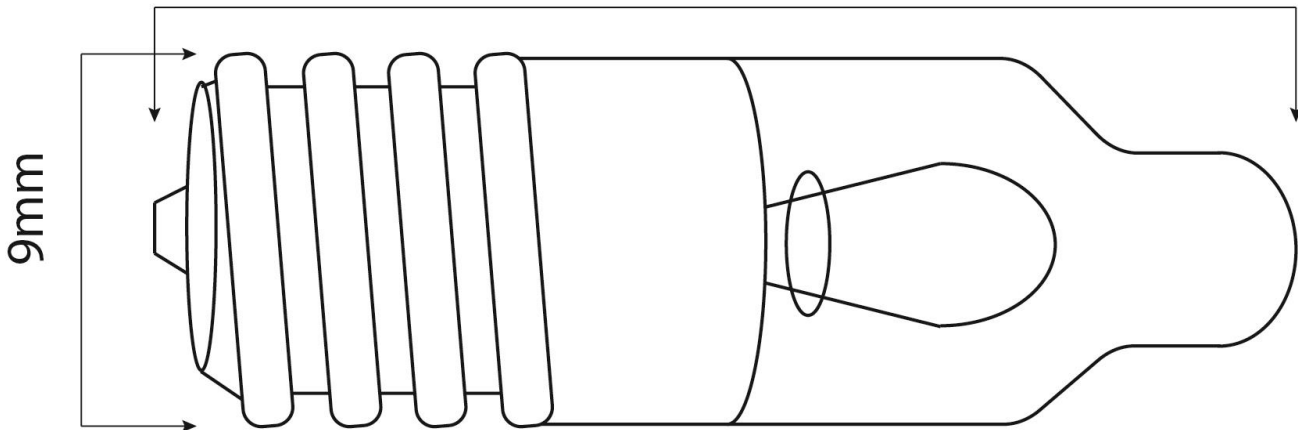


PX093 | PerformaX Medical Instrument Lamp

Voltage	2.25V
Dimensions	See Image
Equivalent To	222
Equipment Used In	Philips Penlights
Product Code	PX093

Technical Drawing

22mm

**About OBEN Technik | “the lighting solution”**

OBEN Technik is committed to addressing the need in the industry of trusted, reliable products, especially in the LED industry, with rapid delivery and quality components. We believe this leads to a trusted, high performance solution.

the quality solution... OBEN Technik is dedicated to providing the industry with solutions that are simply guaranteed. We are proud of our commitment to European manufacture and design utilizing latest technology and high quality components. As a result, we have solutions that will significantly outperform other products on the market.

the bespoke solution... OBEN Technik takes a different approach to projects we work on. If we believe a product can be developed specifically to improve the project, we will.

the delivery solution... OBEN Technik uses its network of distributors to ensure rapid delivery. Instead of products being manufactured in Asia, OBEN Technik can manufacture and deliver with short lead times. In addition, we can even palletize deliveries specifically for easy distribution on site.

Solutions... we live, for light, from Europe.

www.obentechnik.com