

## DRAPPEN Decorative Highbay

### Product Description

The DRAPPEN luminaire unique design is central to many lighting schemes. Whilst being a perfect solution for retail environments, the DRAPPEN luminaire is also an ideal candidate for high specification atriums and commercial applications. Alongside this, the construction and componentry within the DRAPPEN works to bring a product to market that will give outstanding performance.

- Unique design
- Extremely high efficiency
- Different colours available
- Superior componentry



Designed and manufactured  
in Europe

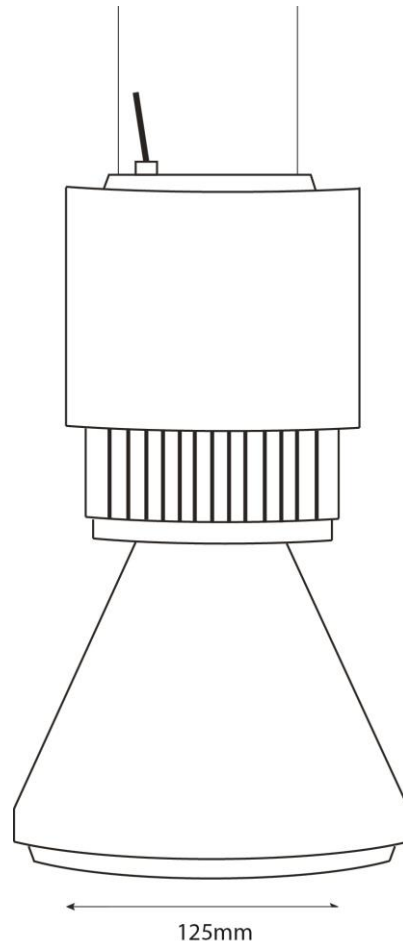


### Specification

#### DRAPPEN | LED Decorative Highbay

Wattage	29.9W			
Voltage/Hz	220/230V, 50Hz			
Lumen Output	4245lm	4420lm	3430lm	3775lm
Lumens per watt	142lm/w	148lm/w	115lm/w	126lm/w
Light Colour (XX)	830 (83)	840 (84)	930 (93)	940 (94)
CRI	>80		>90	
Dimensions (mm)	125 x 240, 3000 cable suspension			
Weight	1.7Kg			
Mounting	Suspension			
IP Rating	IP20			
Construction	Cast Aluminium Body			
Finish (Y)	White (W)	Grey (G)	Black (S)	
Recommended Location	Indoors			
Warranty	3 Years			
Product Code	DRL29.9XXY (i.e. DRL29.983W = Col 830 White Body))			

## Technical Drawing



### About OBEN Technik | “the lighting solution”

OBEN Technik is committed to addressing the need in the industry of trusted, reliable products, especially in the LED industry, with rapid delivery and quality components. We believe this leads to a trusted, high performance solution.

**the quality solution...** OBEN Technik is dedicated to providing the industry with solutions that are simply guaranteed. We are proud of our commitment to European manufacture and design utilizing latest technology and high quality components. As a result, we have solutions that will significantly outperform other products on the market.

**the bespoke solution...** OBEN Technik takes a different approach to projects we work on. If we believe a product can be developed specifically to improve the project, we will.

**the delivery solution...** OBEN Technik uses its network of distributors to ensure rapid delivery. Instead of products being manufactured in Asia, OBEN Technik can manufacture and deliver with short lead times. In addition, we can even palletize deliveries specifically for easy distribution on site.

**Solutions...** you can trust.

[www.obentechnik.com](http://www.obentechnik.com)