

KRAFT | LED Floodlight

Product Description

The KRAFT LED Floodlight is a unique high-power floodlight boasting up to 150lm/w efficiency, designed for extreme marine environments. With the high corrosion-resistant die cast aluminium body, and heavy-duty mounting bracket, the KRAFT LED Floodlight is guaranteed to perform for years in the toughest of circumstances. It boasts a clever design to minimize heat build up including internal cooling pins, a high IP66 rating and stainless-steel cable glands. The millimetric toothed bracket ensures it stays in position and the 65mm body makes it aesthetically pleasing in all applications.

- Die-cast aluminium body
- IP66 rated
- IK08 rated
- High efficiency up to 150lm/w
- High power options at over 40,000lm
- Multiple optics available

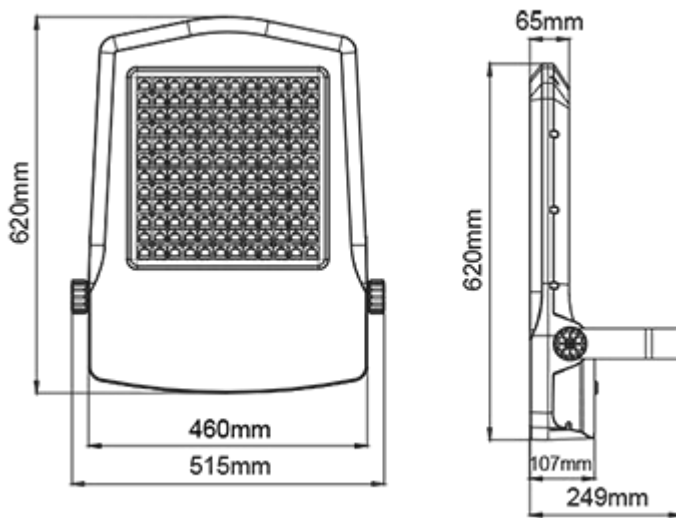


Designed and manufactured
in Europe

Specification

KRAFT LED Floodlight										
Wattage (<i>WWW</i>)	225W (<i>225</i>)					275W (<i>275</i>)				
Voltage/Hz	220-240V, 50/60Hz									
Lumen Output	31730	32380	33040	33714	34725	37230	37990	38765	39556	40740
Lumens/W	141	144	147	150	154	135	138	141	144	148
Light Colour (<i>YY</i>)	2700K (<i>27</i>)	3000K (<i>30</i>)	3500K (<i>35</i>)	4000K (<i>40</i>)	6000K (<i>60</i>)	2700K (<i>27</i>)	3000K (<i>30</i>)	3500K (<i>35</i>)	4000K (<i>40</i>)	6000K (<i>60</i>)
CR Index	CRI80+									
Beam Angle (<i>ZZZ</i>)	15° (<i>015</i>), 35° (<i>035</i>), 70° (<i>070</i>), 100° (<i>100</i>)									
Protection Class	I									
Dimensions (mm)	See overleaf									
Weight	19kg									
Fixing/Mounting	Heavy duty mounting bracket									
Construction/Finish	Die-cast aluminium, dark grey finish									
Recommended Location	Exterior									
Warranty	3 years									
Product Code	KRA <i>WWWYYZZZ</i>									

Technical Drawing



About OBEN Technik | “the lighting solution”

OBEN Technik is committed to addressing the need in the industry of trusted, reliable products, especially in the LED industry, with rapid delivery and quality components. We believe this leads to a trusted, high performance solution.

the quality solution... OBEN Technik is dedicated to providing the industry with solutions that are simply guaranteed. We are proud of our commitment to European manufacture and design utilizing latest technology and high quality components. As a result, we have solutions that will significantly outperform other products on the market.

the bespoke solution... OBEN Technik takes a different approach to projects we work on. If we believe a product can be developed specifically to improve the project, we will.

the delivery solution... OBEN Technik uses its network of distributors to ensure rapid delivery. Instead of products being manufactured in Asia, OBEN Technik can manufacture and deliver with short lead times. In addition, we can even palletize deliveries specifically for easy distribution on site.

Solutions... you can trust.

www.obentechnik.com